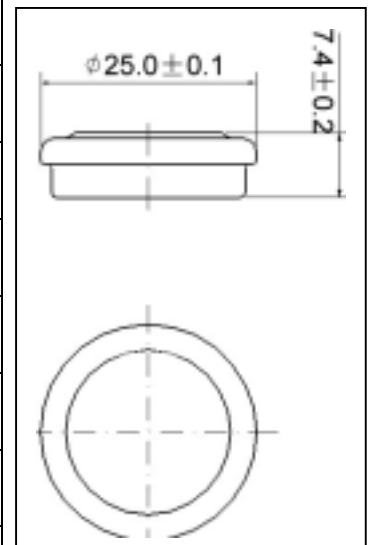


Model:H-BC280

★Specifications

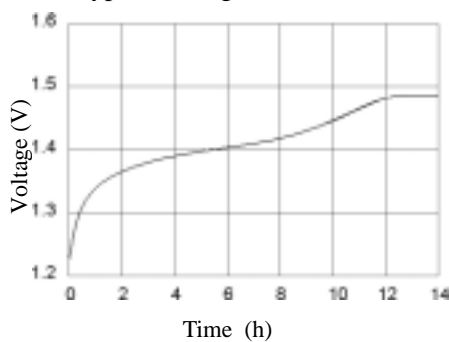
Nominal Voltage		1.2V	Final Discharge Voltage	1.0V
Nominal Capacity			280mAh (minimum at 0.1C/ 0.2C)	
Dimensions	Diameter		25.0±0.1 (mm)	
	Height		7.4±0.2 (mm)	
Weight Approx.			11.0 g	
Internal Impedance at 1000Hz.			Approx. ≤500 mΩ at after charge	
Charge	Standard		0.1C (28mA) for 14~16 hrs	
	Rapid		0.2C (56mA) for 8 hrs	
	Trickle		0.03C (8.4mA)	
Temperature Range for Operation (Humidity: Max 85%)	Charge	Standard	0~+45°C	
		Rapid	+10~+45°C	
	Discharge		-10~+45°C	
	Storage		-20~+45°C (less than 1 month)	

★Dimensions

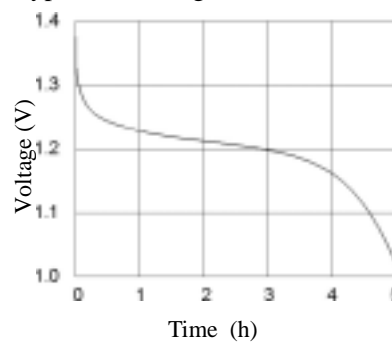


★Typical Characteristic

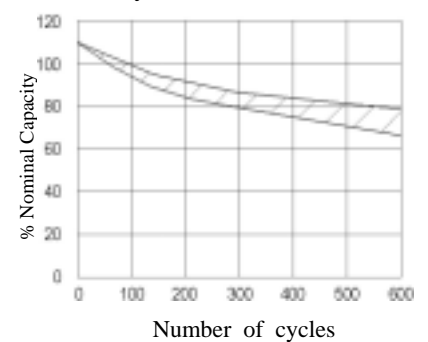
Typical Charge Curve (28mA)



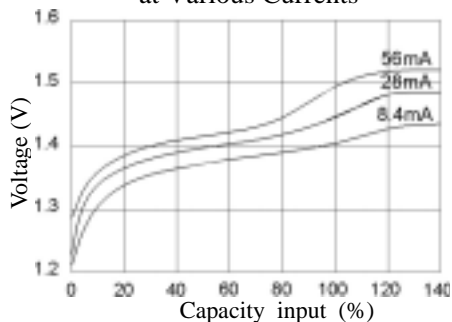
Typical Discharge Curve (56mA)



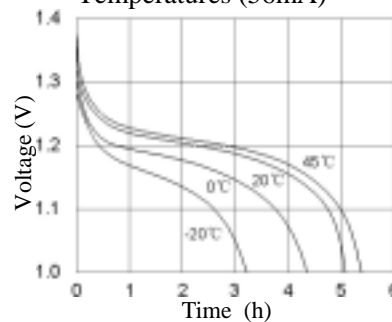
Cycle Life Curve



Typical Charge Curve at Various Currents



Discharge Curve at Various Temperatures (56mA)



Self-Discharge Rate at Various Temperatures

