

# Ni-MH Prismatic Battery Individual Data Sheets

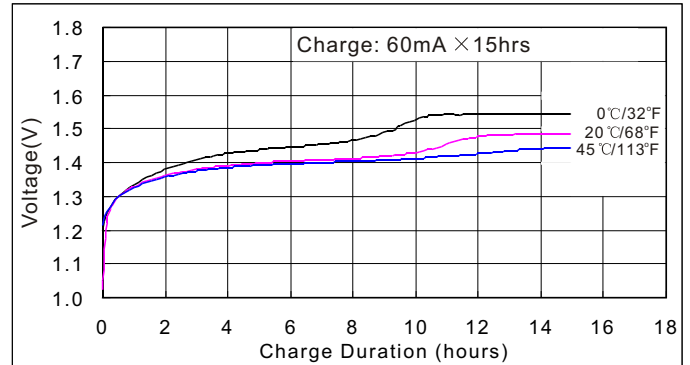
## Type: H-P4/5F6 600

### Specifications

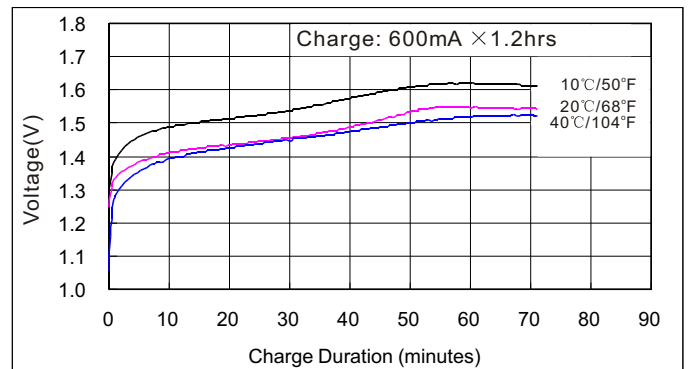
Nominal voltage		1.2V	
Capacity <sup>1</sup>		0.2C Discharge	1C Discharge
	Minimum	600mAh <sup>2</sup>	540mAh
	Typical <sup>3</sup>	660mAh	600mAh
Dimensions		mm	inch
	Width	17.0 <sup>0</sup> <sub>-0.5</sub>	0.67 <sup>0</sup> <sub>-0.020</sub>
	Thickness	6.0 <sup>0</sup> <sub>-0.5</sub>	0.24 <sup>0</sup> <sub>-0.020</sub>
	Height	35.8 <sup>0</sup> <sub>-1.0</sub>	1.41 <sup>0</sup> <sub>-0.039</sub>
Weight <sup>4</sup>		Grams	Ounces
		13	0.46
Internal impedance <sup>4</sup> at 1000Hz.		30mΩ (After charge)	
Charge	Standard	60mA(0.1C) X 15hrs	
	Rapid	600mA(1C) X 1.2hrs	
Ambient temperature	Charge		°C
			°F
	Standard	0°C to 45°C	32°F to 113°F
		Rapid	10°C to 40°C
	Discharge	-20°C to 65°C	-4°F to 149°F
Storage	-20°C to 45°C	-4°F to 113°F	

### Typical Characteristics

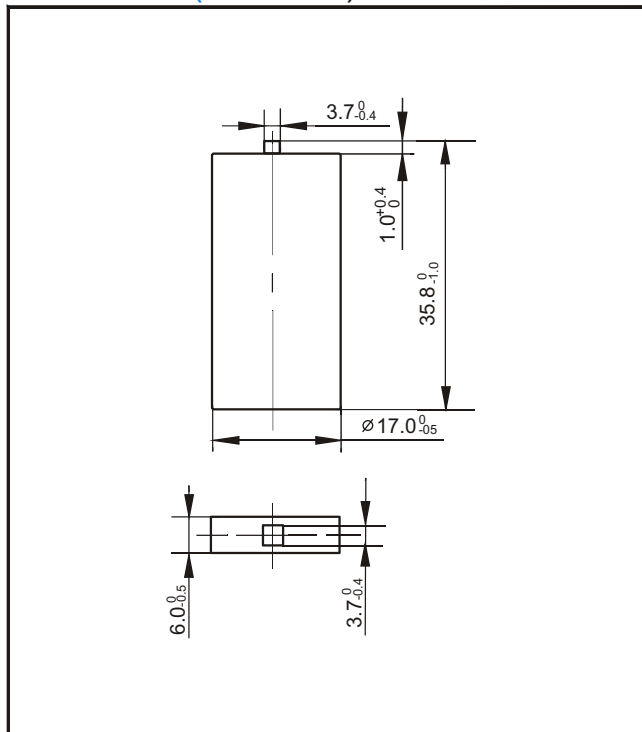
#### Standard charge characteristics



#### Rapid charge characteristics



### Dimensions(with tube) (mm)



#### Note:

1. After charging at 0.1C for 15 hours.
2. Nominal capacity, rated at 0.2C, 20°C
3. Average capacity. For reference only.
4. Weight and internal impedance are for reference.

#### Discharge characteristics at various rate

