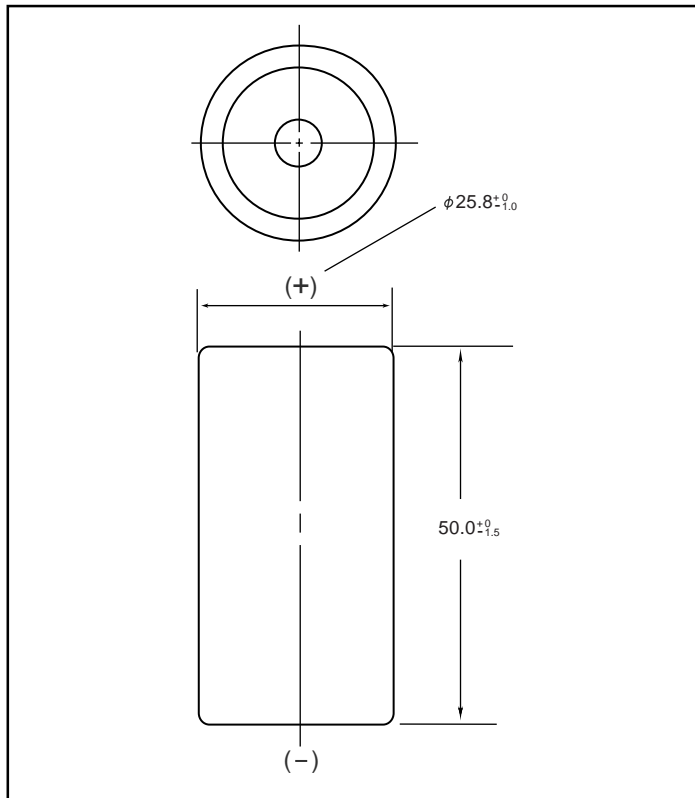


# NI-CD BATTERIES INDIVIDUAL DATA SHEETS

## Type:D-C2200L

Dimensions (with tube) (mm)



### Specifications

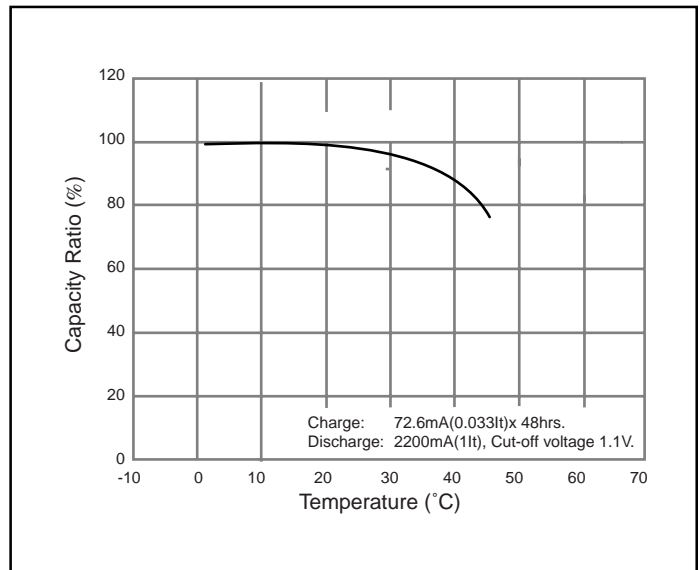
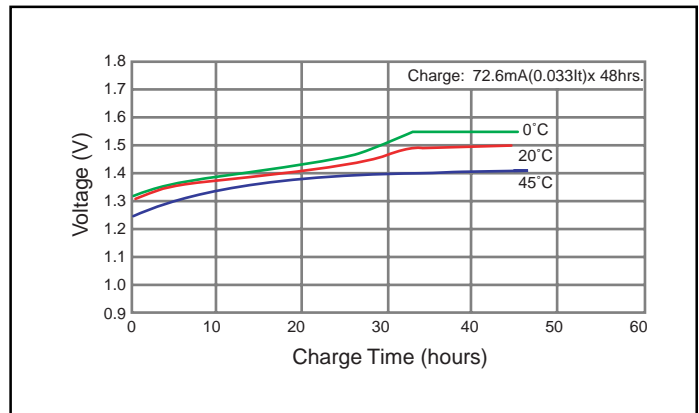
	mm	inch
Diameter	25.8 +0 / -1.0	1.02 +0 / -0.04
Height	50.0 +0 / -1.5	1.97 +0 / -0.06
Approximate Weight	Grams	Ounces
	78g	2.75

Nominal Voltage		1.2V	
Discharge Capacity*	Average**	2400mAh	
	Rated (Min.)	2200mAh	
Approx. Internal impedance at 1000Hz at charged state.		8mΩ	
Charge	Standard	200mA (0.1It) x 16hrs.	
	Trickle	Max Current	100mA (0.05It) x 30h and over
		Min Current	67mA (0.033It) x 48h and over
Ambient Temperature	Charge	°C	°F
		0°C to 45°C	32°F to 113°F
	Discharge	-20°C to 65°C	-4°F to 149°F
		Storage	< 2 years
< 6 months	-20°C to 45°C -4°F to 113°F		

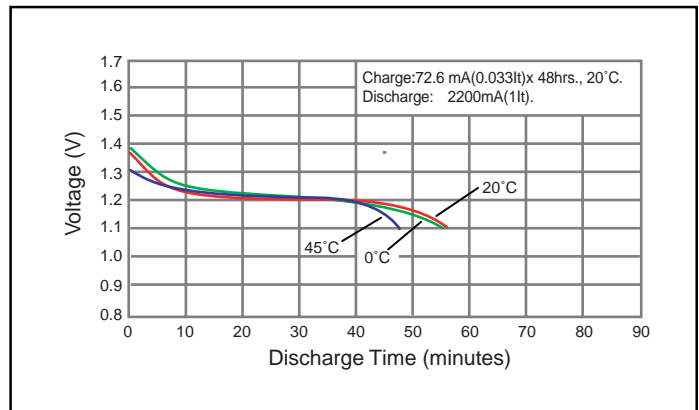
\* 0.2It discharge capacity after charging at 0.1It for 16 hours.

\*\* For reference only.

### Typical Charge Characteristics



### Typical Discharge Characteristics



**Note:** [It] was previously expressed as [C]. [It] is an IEC standard expression for the amount of charge or discharge current and is expressed as: It(A) = Cn (Ah)/1h.

- [It] is the reference test current in amperes
- [Cn] is the rated capacity of the cell or battery in Ampere-hours.
- n = the time base [hours] for which the rated capacity is declared