

Ni-Cd Battery Individual Data Sheets

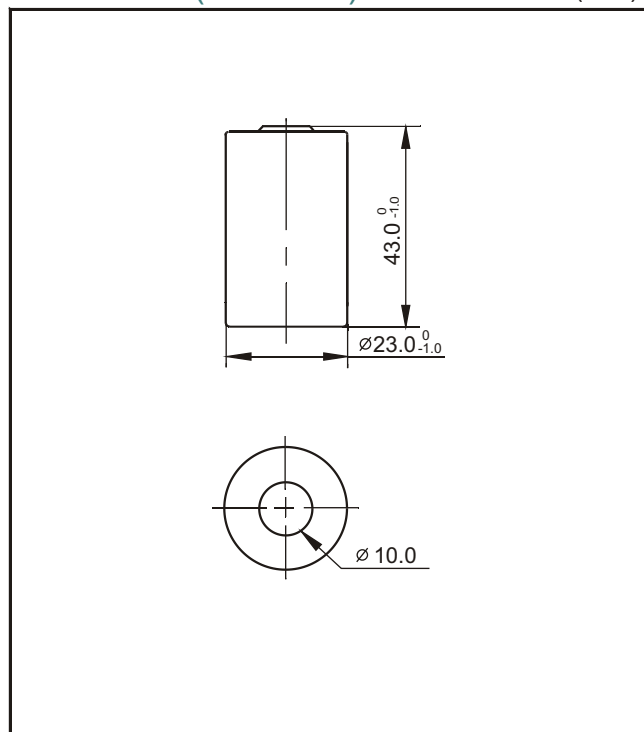
Type: D-SC1700H

Specifications

Nominal voltage		1.2V	
Capacity ¹		0.2C Discharge	1C Discharge
	Minimum	1700mAh ²	1530mAh
	Typical ³	1850mAh	1700mAh
Dimensions	Diameter	mm	inch
		23.0 ⁰ _{-1.0}	0.906 ⁰ _{-0.039}
	Height	43.0 ⁰ _{-1.0}	1.693 ⁰ _{-0.039}
Weight ⁴	Grams	Ounces	
	47	1.66	
Internal impedance ⁴ at 1000Hz.		8mΩ (After charge)	
Charge	Standard	180mA(0.1C) X 15hrs	
	Trickle	90mA(0.05C) X 48hrs	
Ambient temperature	Charge	°C	°F
		Standard	0°C to 60°C
	Trickle	0°C to 60°C	32°F to 140°F
	Discharge	-20°C to 70°C	-4°F to 158°F
	Storage	-20°C to 45°C	-4°F to 113°F

Dimensions(with tube)

(mm)

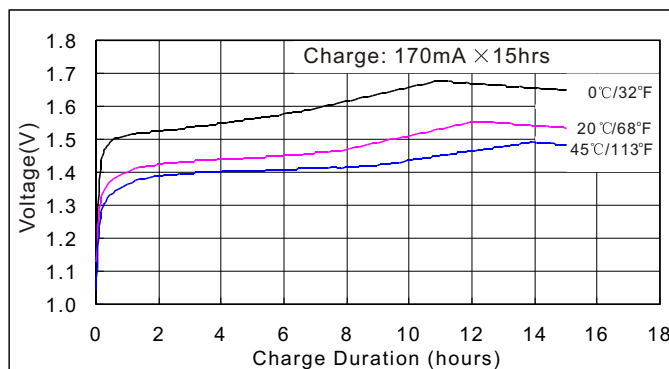


Note:

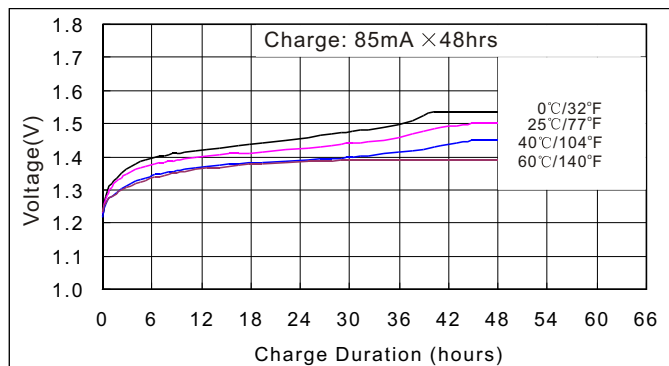
1. After charging at 0.1C for 15 hours.
2. Nominal capacity, rated at 0.2C, 20°C
3. Average capacity. For reference only.
4. Weight and internal impedance are for reference.

Typical characteristics

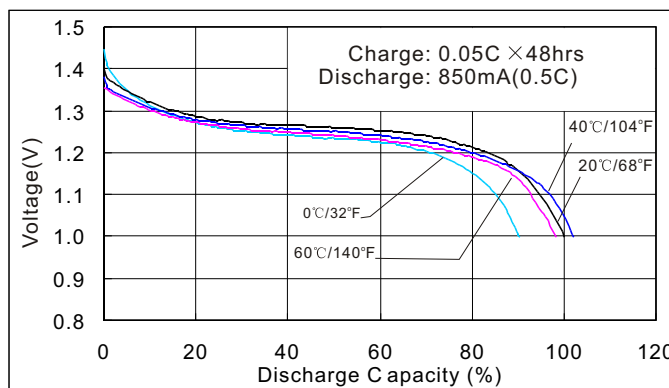
Standard charge characteristics



Trickle charge characteristics



Discharge characteristics



Charge Efficiency

