

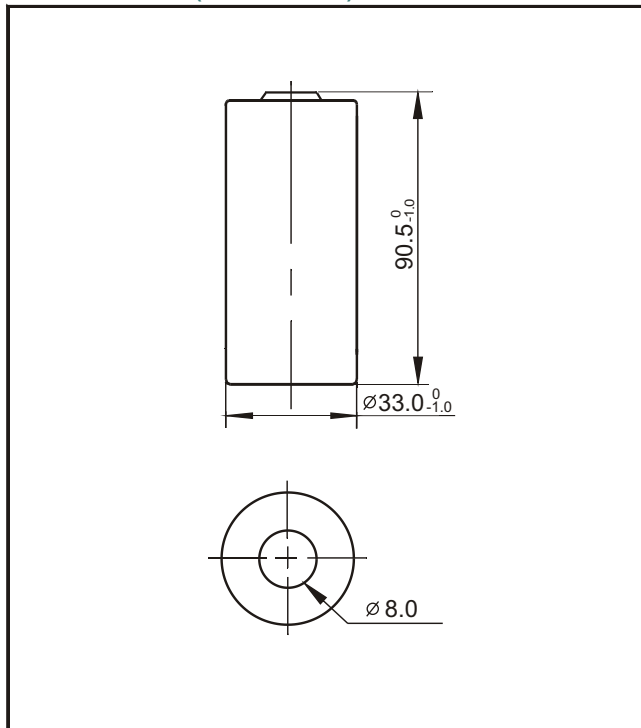
Ni-Cd Battery Individual Data Sheets

Type: D-F7000H

Specifications

Nominal voltage		1.2V	
Capacity ¹		0.2C Discharge	1C Discharge
	Minimum	7000mAh ²	6300mAh
	Typical ³	7700mAh	7000mAh
Dimensions	Diameter	mm	inch
		33.0 ⁰ _{-1.0}	1.299 ⁰ _{-0.039}
	Height	90.5 ⁰ _{-1.0}	3.563 ⁰ _{-0.039}
Weight ⁴		Grams	Ounces
		195	6.88
Internal impedance ⁴ at 1000Hz.		8mΩ (After charge)	
Charge	Standard	700mA(0.1C) X 15hrs	
	Trickle	350mA(0.05C) X 48hrs	
Ambient temperature	Charge		°C
			°F
	Standard	0°C to 60°C	32°F to 140°F
	Trickle	0°C to 60°C	32°F to 140°F
	Discharge	-20°C to 70°C	-4°F to 158°F
Storage	-20°C to 45°C	-4°F to 113°F	

Dimensions(with tube) (mm)

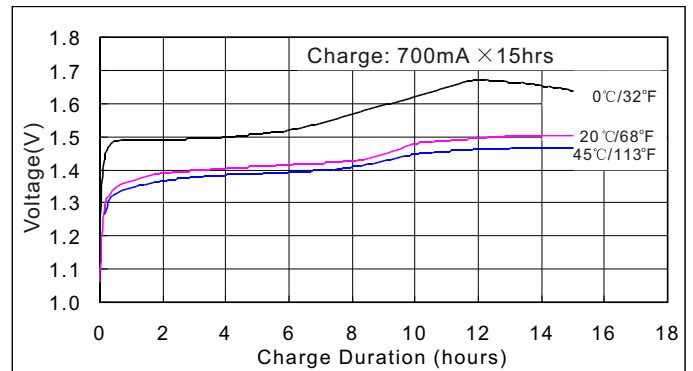


Note:

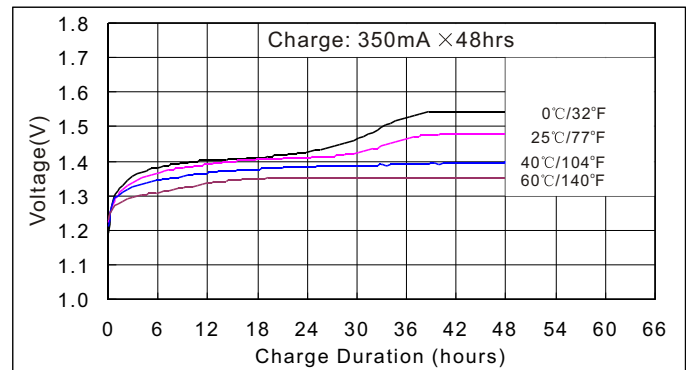
1. After charging at 0.1C for 15 hours.
2. Nominal capacity, rated at 0.2C, 20°C
3. Average capacity. For reference only.
4. Weight and internal impedance are for reference.

Typical characteristics

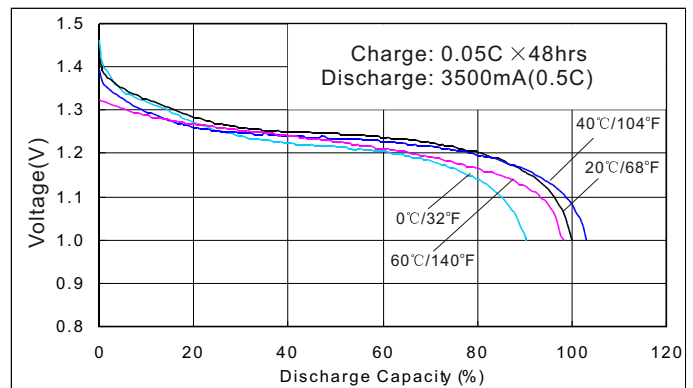
Standard charge characteristics



Trickle charge characteristics



Discharge characteristics



Charge Efficiency

