

Ni-Cd Battery Individual Data Sheets

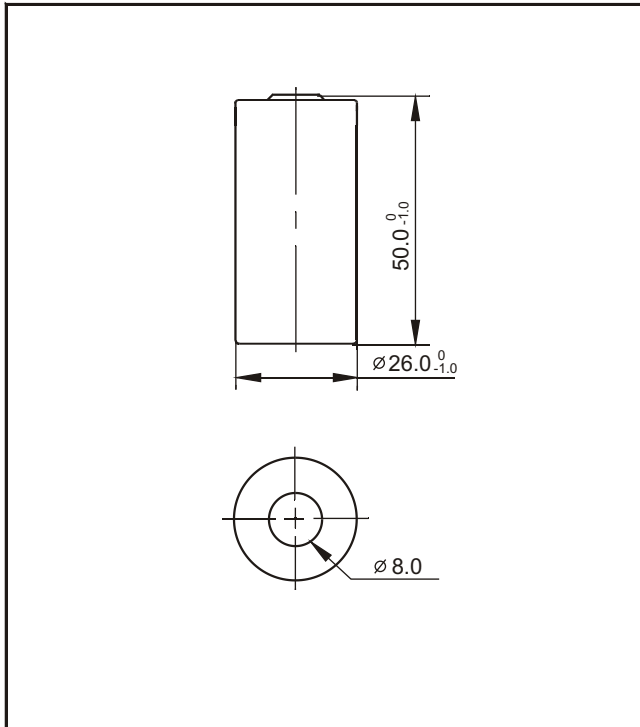
Type: D-C2500H

Specifications

Nominal voltage		1.2V		
Capacity ¹		0.2C Discharge	1C Discharge	
	Minimum	2500mAh ²	2250mAh	
	Typical ³	2700mAh	2500mAh	
Dimensions	Diameter	mm	inch	
		26.0 ⁰ _{-1.0}	1.024 ⁰ _{-0.039}	
	Height	50.0 ⁰ _{-1.0}	1.969 ⁰ _{-0.039}	
Weight ⁴	Grams	Ounces		
	77	2.71		
Internal impedance ⁴ at 1000Hz.		10mΩ (After charge)		
Charge	Standard	250mA(0.1C) X 15hrs		
	Trickle	125mA(0.05C) X 48hrs		
Ambient temperature	Charge		°C	°F
		Standard	0°C to 60°C	32°F to 140°F
	Trickle	0°C to 60°C	32°F to 140°F	
	Discharge	-20°C to 70°C	-4°F to 158°F	
	Storage	-20°C to 45°C	-4°F to 113°F	

Dimensions(with tube)

(mm)

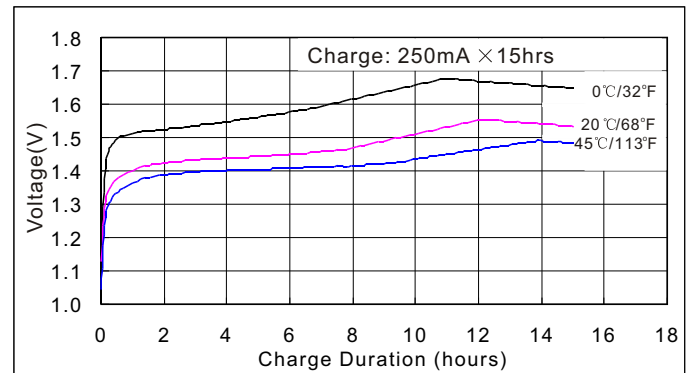


Note:

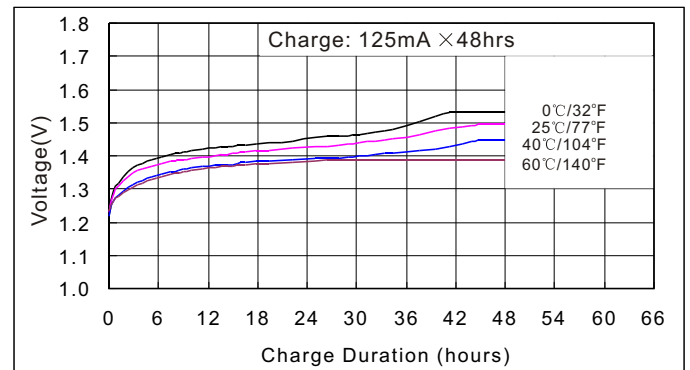
1. After charging at 0.1C for 15 hours.
2. Nominal capacity, rated at 0.2C, 20°C
3. Average capacity. For reference only.
4. Weight and internal impedance are for reference.

Typical characteristics

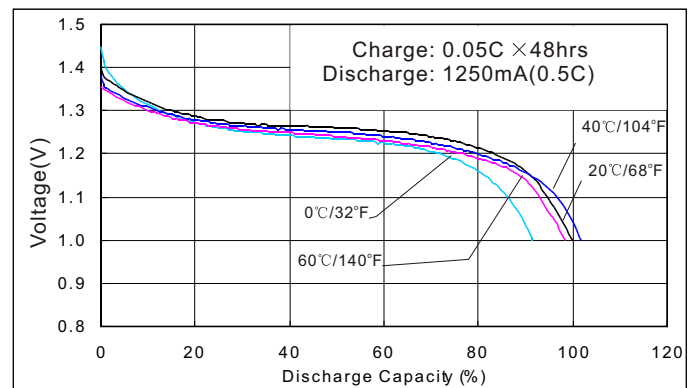
Standard charge characteristics



Trickle charge characteristics



Discharge characteristics



Charge Efficiency

