

Ni-Cd Battery Individual Data Sheets

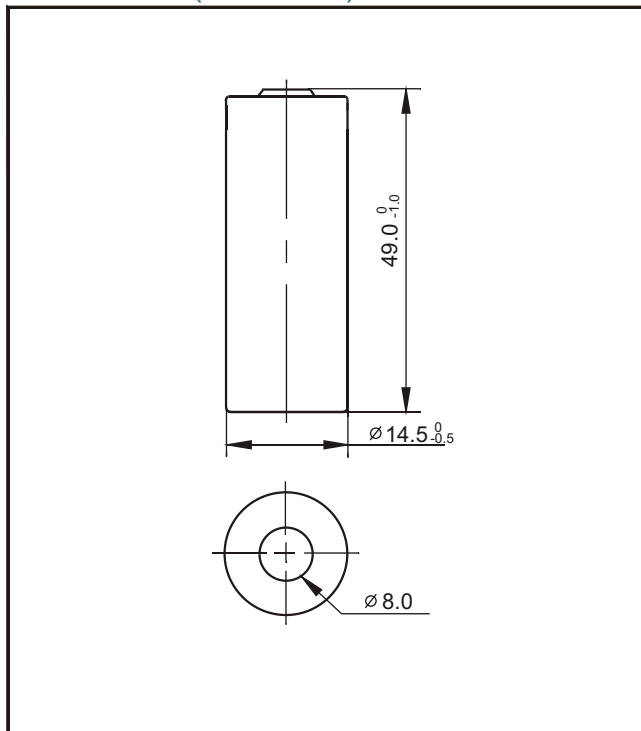
Type: D-AA600H

Specifications

Nominal voltage		1.2V	
Capacity ¹		0.2C Discharge	1C Discharge
	Minimum	600mAh ²	540mAh
	Typical ³	660mAh	600mAh
Dimensions	Diameter	mm	inch
		$14.5^{0}_{-0.5}$	$0.571^{0}_{-0.020}$
	Height	$49.0^{0}_{-1.0}$	$1.929^{0}_{-0.039}$
Weight ⁴		Grams	Ounces
		22	0.78
Internal impedance ⁴ at 1000Hz.		25mΩ (After charge)	
Charge	Standard	60mA(0.1C) X 15hrs	
	Trickle	30mA(0.05C) X 48hrs	
Ambient temperature	Charge		°C
			°F
	Standard	0°C to 60°C	32°F to 140°F
		Trickle	0°C to 60°C
	Discharge	-20°C to 70°C	-4°F to 158°F
Storage	-20°C to 45°C	-4°F to 113°F	

Dimensions(with tube)

(mm)

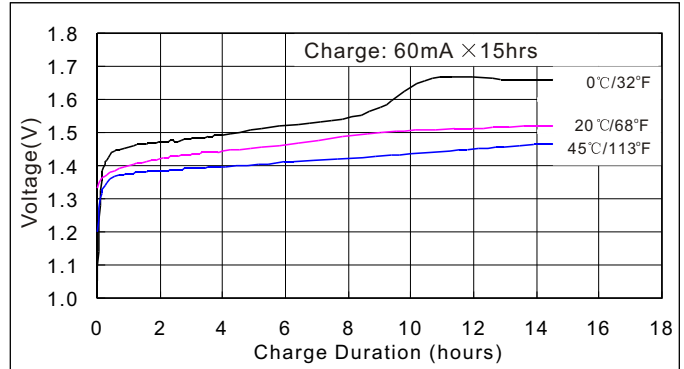


Note:

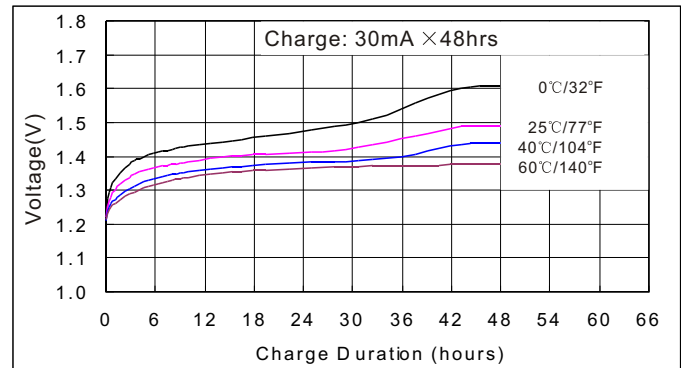
1. After charging at 0.1C for 15 hours.
2. Nominal capacity, rated at 0.2C, 20°C
3. Average capacity. For reference only.
4. Weight and internal impedance are for reference.

Typical characteristics

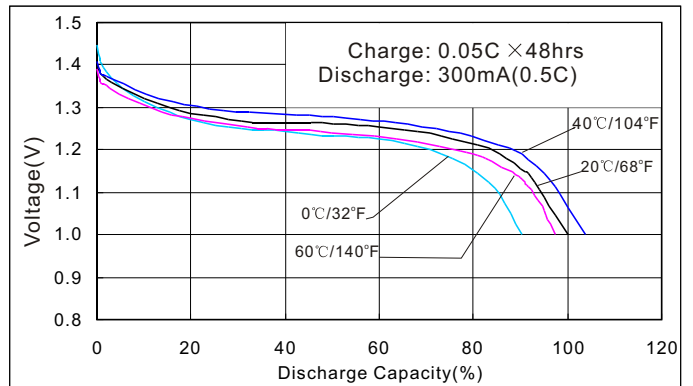
Standard charge characteristics



Trickle charge characteristics



Discharge characteristics



Charge Efficiency

