

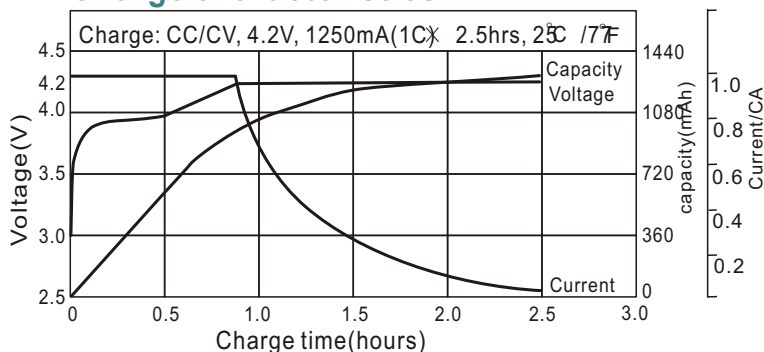
Li-ion Cylindrical Battery Individual Data Sheets

L-C17670

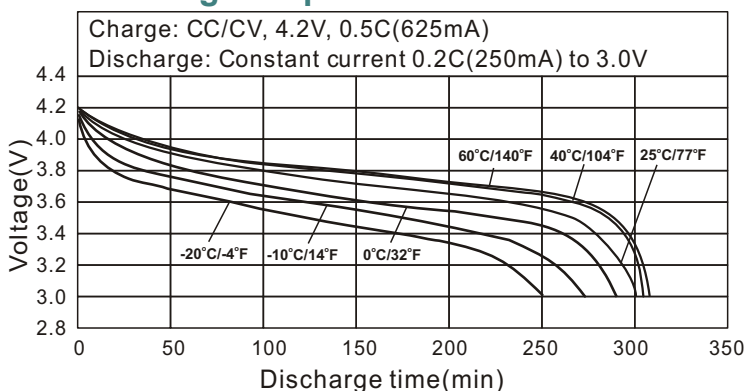
Specifications

Nominal Voltage		3.7V	
Capacity ¹ (mAh)	0.2C Discharge		
	Minimum	1150mAh	
	Typical ³	1250mAh	
Dimen- Sions	Diameter	mm	inch
		16.8 ⁰ _{-0.3}	0.661 ⁰ _{-0.012}
	Height	66.8 ⁰ _{-0.5}	2.630 ⁰ _{-0.020}
Weight *		Grams	Ounces
		37	1.31
Internal impedance* at 1000Hz		<90m Ω (After charge)	
Charge	Standard	625mA(0.5C)×5hrs	
	Rapid	1250mA(1C)× 2.5hrs	
Ambient temperature	Charge	°C	°F
		0°C to 45°C	32°F to 113°F
	Discharge	-20°C to 60°C -4°F to 140°F	
	Storage	-20°C to 45°C -4°F to 113°F	

Charge characteristics

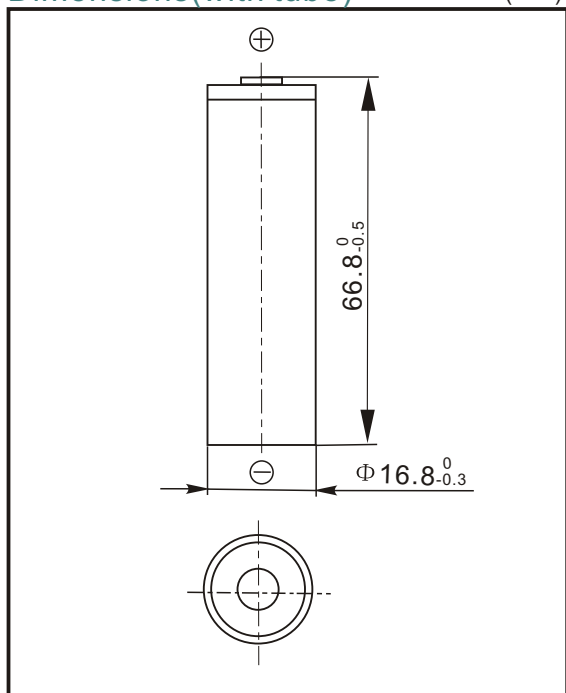


Discharge temperature characteristics

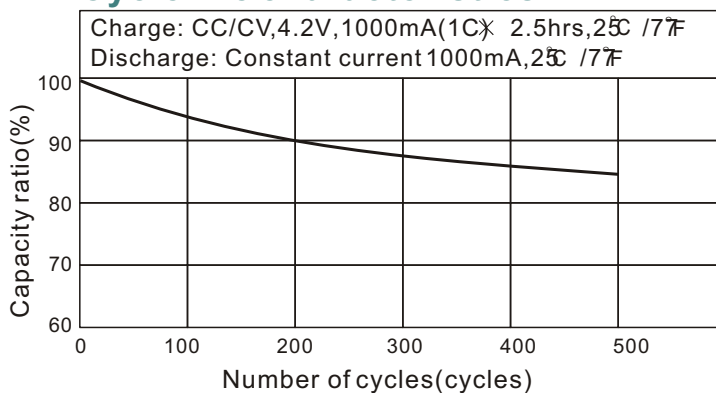


Dimensions(with tube)

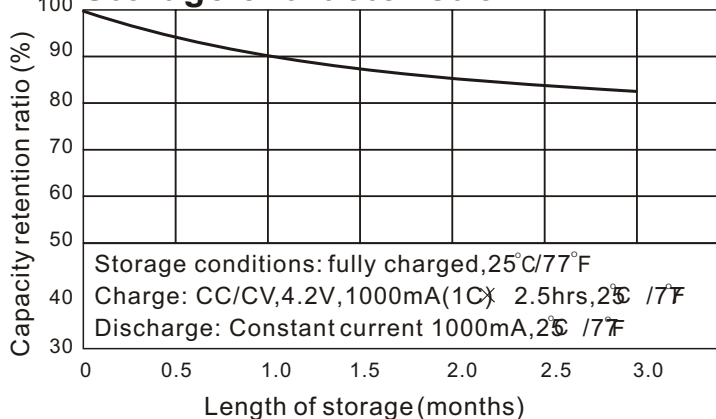
(mm)



Cycle life characteristics



Storage characteristic



Note:

1. After charging at 1C for 2.5 hours.
 2. Nominal capacity, rated at 0.2C, 25°C/77°F.
 3. Average capacity. For reference only.
- *. Weight and internal impedance are for reference.