

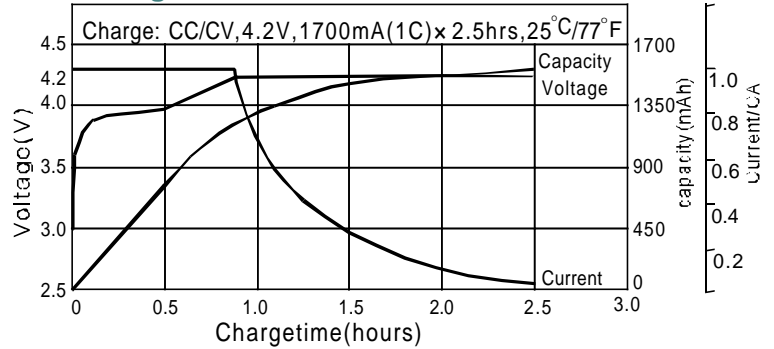
Li-ion Prismatic Battery Individual Data Sheets

L-P103450SR

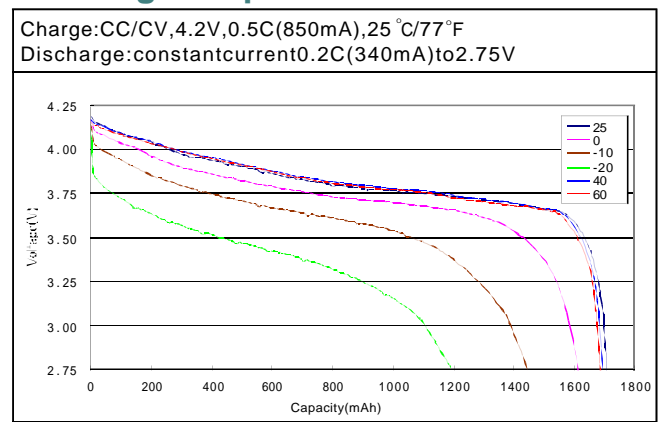
Specifications

Nominal Voltage		3.7V	
Capacity ¹ (mAh)	0.2C Discharge		
	Minimum	1550mAh ²	
	Typical ³	1700mAh	
Dimen- Sions	Thickness	mm	inch
		10.5 ^{0.0} _{-0.5}	0.403 ^{0.0} _{-0.020}
		Width	33.8 ^{0.0} _{-0.5}
	Height	50.0 ^{0.0} _{-0.6}	1.968 ^{0.0} _{-0.024}
Weight*		Grams	Ounces
		47	1.66
Internal impedance* at 1000Hz		< 70 mΩ (After charge)	
Charge	Standard	850mA(0.5C) × 5hrs	
	Rapid	1700mA(1C) × 2.5hrs	
Ambient temperature	Charge	°C	°F
		0°C to 45°C	32°F to 113°F
	Discharge	-20°C to 60°C	-4°F to 140°F
	Storage	-20°C to 45°C	-4°F to 113°F

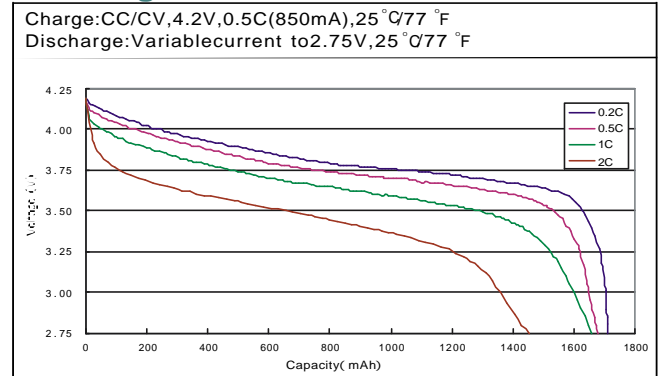
Charge characteristics



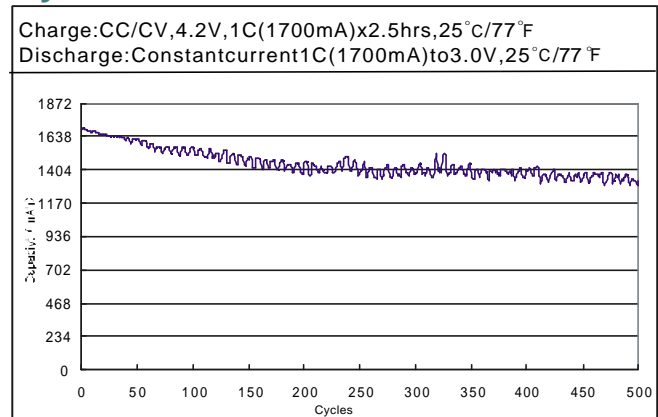
Discharge temperature characteristics



Discharge rate characteristics

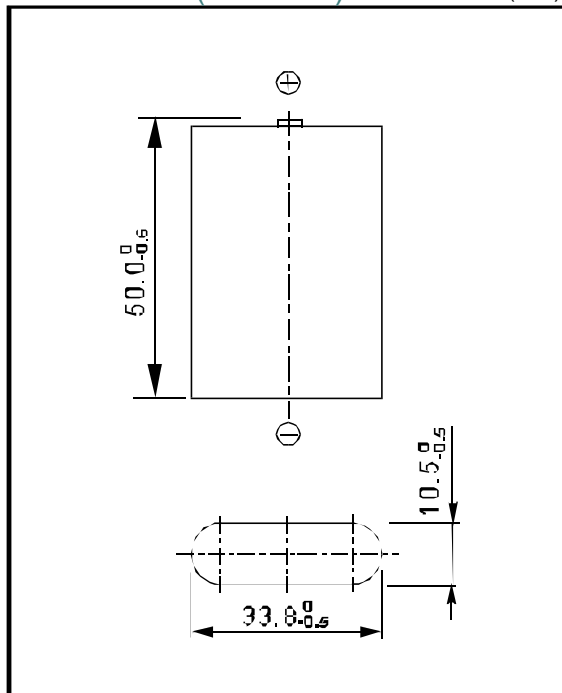


Cycle life characteristics



Dimensions (bare cell)

(mm)



Note:

1. After charging at 1C for 2.5 hours.
 2. Nominal capacity, rated at 0.2C, 25°C/77°F.
 3. Average capacity. For reference only.
- *. Weight and internal impedance are for reference.