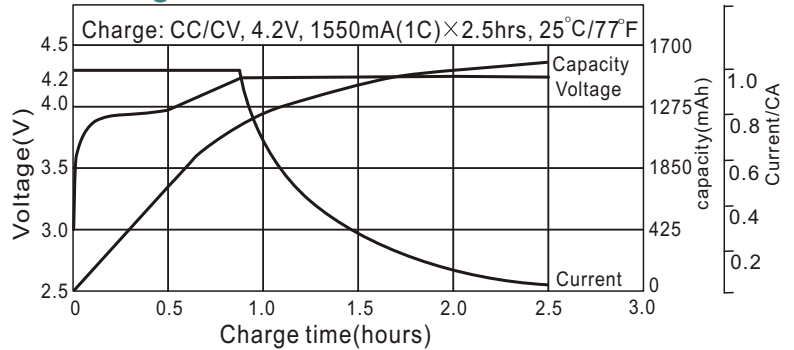


## L-P103450AR

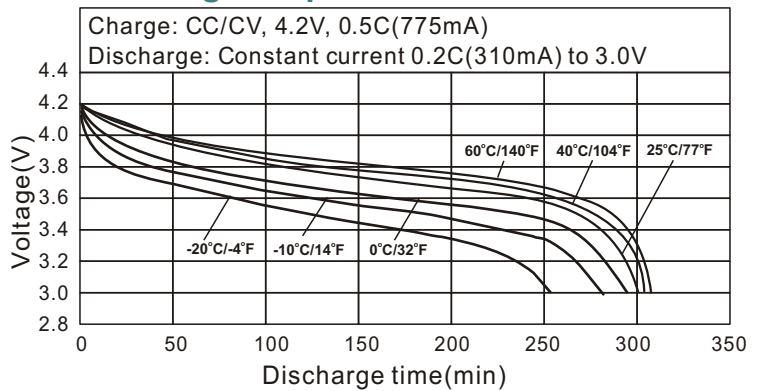
### Specifications

Nominal Voltage		3.7V	
Capacity <sup>1</sup> (mAh)	0.2C Discharge		
	Minimum	1400mAh <sup>2</sup>	
	Typical <sup>3</sup>	1550mAh	
Dimen- Sions	Thickness	mm	inch
		10.5 <sup>0.0.5</sup>	0.402 <sup>0.0.020</sup>
		Width	33.8 <sup>0.0.5</sup>
Height	50.0 <sup>0.0.6</sup>	1.968 <sup>0.0.024</sup>	
	Weight <sup>*</sup>		Ounces
		Grams	36
		Ounces	1.34
Internal impedance* at 1000Hz		<70 mΩ (After charge)	
Charge	Standard	775mA(0.5C)×5hrs	
	Rapid	1550mA(1C)×2.5hrs	
Ambient temperature	Charge	°C	°F
		0°C to 45°C	32°F to 113°F
	Discharge	-20°C to 60°C	-4°F to 140°F
Storage	-20°C to 45°C	-4°F to 113°F	

### Charge characteristics

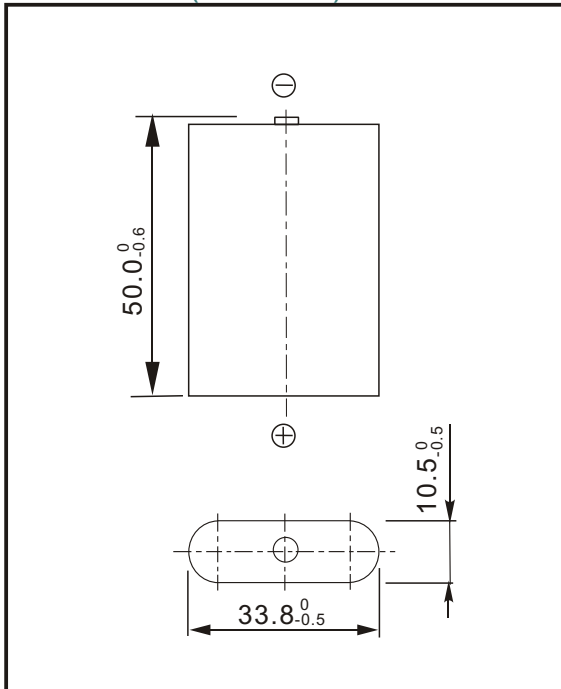


### Discharge temperature characteristics



### Dimensions(bare cell)

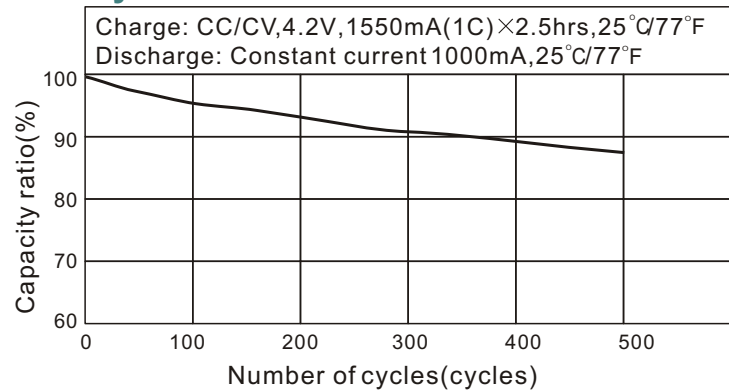
(mm)



#### Note:

- After charging at 1C for 2.5 hours.
  - Nominal capacity, rated at 0.2C, 25°C/77°F.
  - Average capacity. For reference only.
- \*. Weight and internal impedance are for reference.

### Cycle life characteristics



### Storage characteristic

