

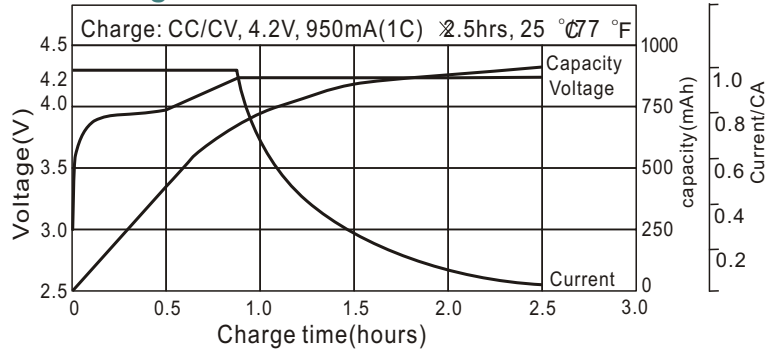
Li-ion Prismatic Battery Individual Data Sheets

L-P102248A

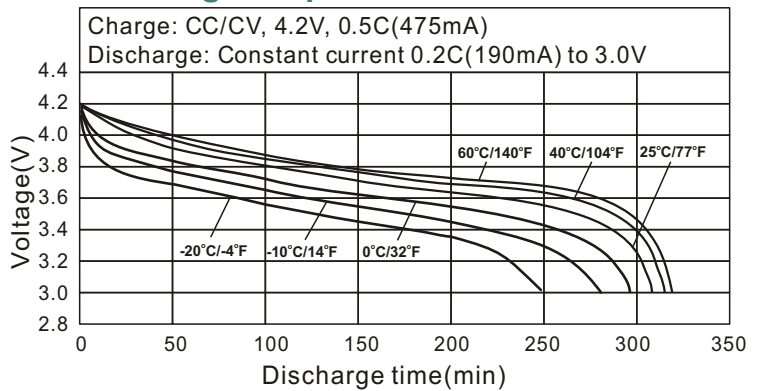
Specifications

Nominal Voltage		3.7V		
Capacity ¹ (mAh)	0.2C Discharge			
	Minimum	850mAh ²		
	Typical ³	950mAh		
Dimen- Sions	Thickness	mm	inch	
		10.2 ⁰ _{-0.4}	0.402 ⁰ _{-0.016}	
	Width	22.0 ⁰ _{-0.5}	1.331 ⁰ _{-0.020}	
	Height	48.0 ⁰ _{-0.6}	1.890 ⁰ _{-0.024}	
Weight [*]	Grams	Ounces		
	22.5	0.84		
Internal impedance* at 1000Hz		<70 mΩ (After charge)		
Charge	Standard	475mA(0.5C)×5hrs		
	Rapid	950mA(1C) ±2.5hrs		
Ambient temperature	Charge	°C	°F	
		0°C to 45°C	32°F to 113°F	
	Discharge	-20°C to 60°C	-4°F to 140°F	
	Storage	-20°C to 45°C	-4°F to 113°F	

Charge characteristics

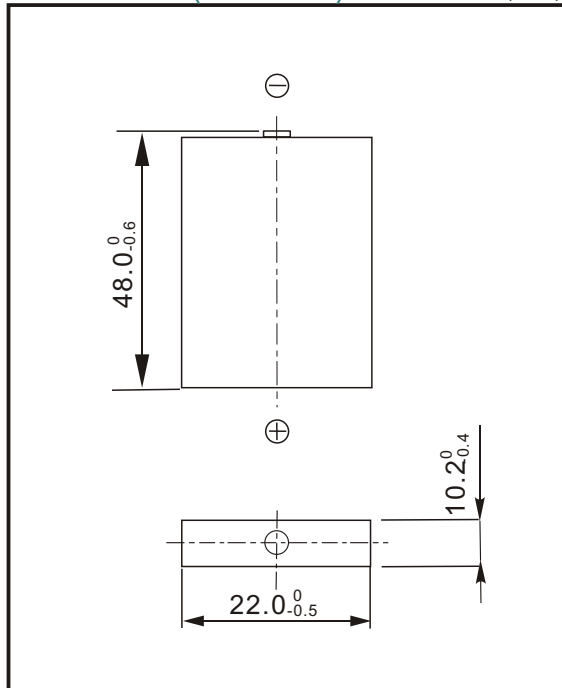


Discharge temperature characteristics



Dimensions(bare cell)

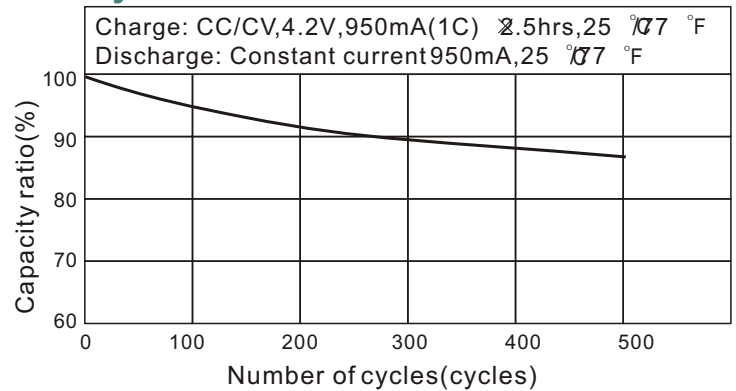
(mm)



Note:

- After charging at 1C for 2.5 hours.
 - Nominal capacity, rated at 0.2C, 25°C/77°F.
 - Average capacity. For reference only.
- *. Weight and internal impedance are for reference.

Cycle life characteristics



Storage characteristic

