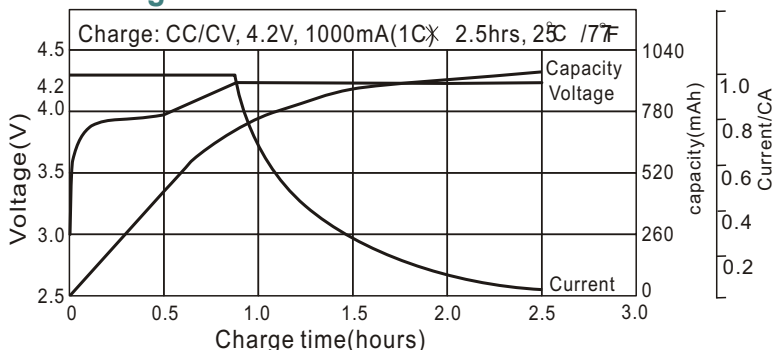


## L-P083447AR

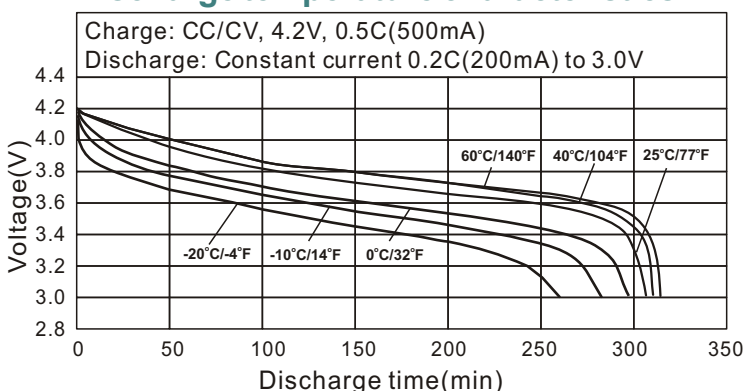
### Specifications

Nominal Voltage		3.7V	
Capacity <sup>1</sup> (mAh)	0.2C Discharge		
	Minimum	910mAh <sup>2</sup>	
	Typical <sup>3</sup>	1000mAh	
Dimen- Sions	Thickness	mm	inch
		7.9 <sup>0.0</sup> <sub>-0.6</sub>	0.311 <sup>0.0</sup> <sub>-0.024</sub>
		Width	33.8 <sup>0.0</sup> <sub>-0.5</sub>
	Height	47.0 <sup>0.0</sup> <sub>-0.6</sub>	1.850 <sup>0.0</sup> <sub>-0.024</sub>
Weight <sup>*</sup>		Grams	Ounces
		26.5	0.95
Internal impedance <sup>*</sup> at 1000Hz		<70 mΩ (After charge)	
Charge	Standard	500mA(0.5C)×5hrs	
	Rapid	1000mA(1C)× 2.5hrs	
Ambient temperature	Charge	°C	°F
		0°C to 45°C	32°F to 113°F
	Discharge	-20°C to 60°C	-4°F to 140°F
	Storage	-20°C to 45°C	-4°F to 113°F

### Charge characteristics

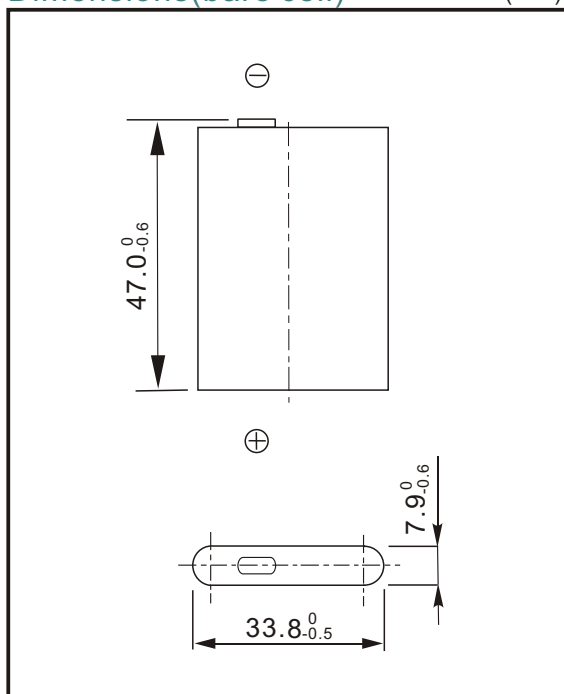


### Discharge temperature characteristics



### Dimensions(bare cell)

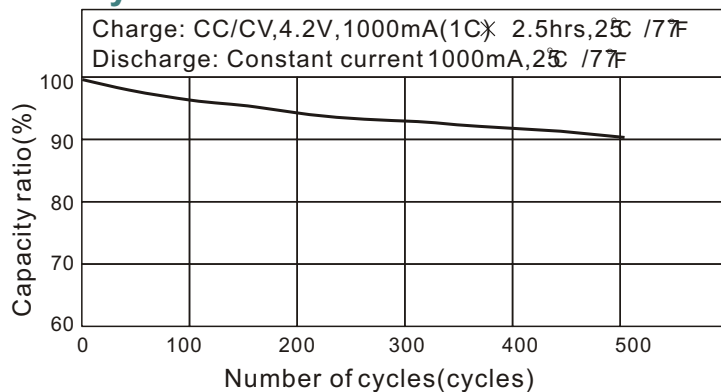
(mm)



#### Note:

- After charging at 1C for 2.5 hours.
  - Nominal capacity, rated at 0.2C, 25°C/77°F.
  - Average capacity. For reference only.
- \*. Weight and internal impedance are for reference.

### Cycle life characteristics



### Storage characteristic

