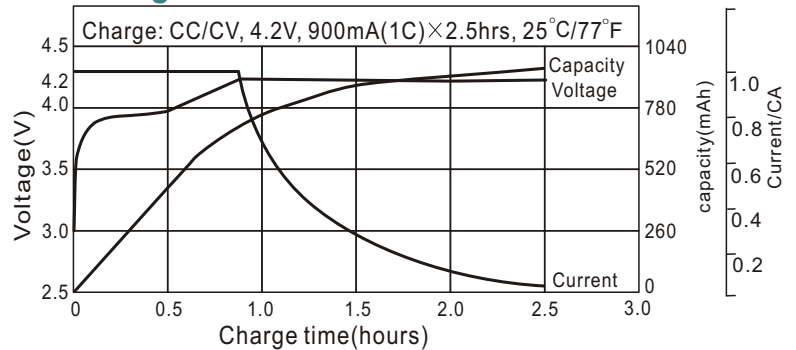


L-P063448AR

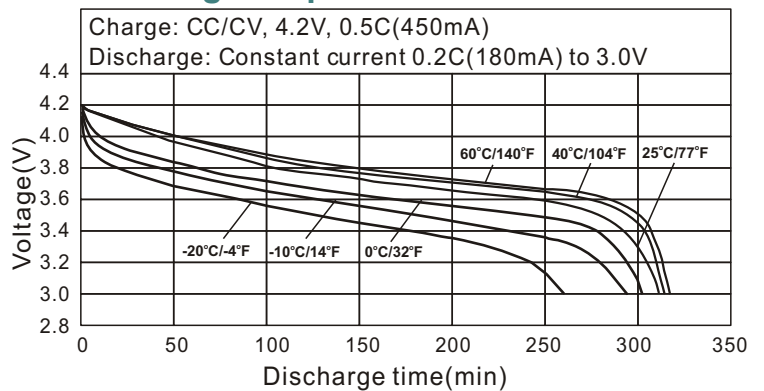
Specifications

Nominal Voltage		3.7V	
Capacity ¹ (mAh)	0.2C Discharge		
	Minimum	820mAh ²	
	Typical ³	900mAh	
Dimen- Sions	Thickness	mm	inch
		6.4 ⁰ _{-0.4}	0.252 ⁰ _{-0.016}
		Width	34.1 ⁰ _{-0.5}
	Height	47.5 ⁰ _{-0.6}	1.870 ⁰ _{-0.024}
Weight [*]		Grams	Ounces
		22	0.84
Internal impedance [*] at 1000Hz		<70 mΩ (After charge)	
Charge	Standard	450mA(0.5C)×5hrs	
	Rapid	900mA(1C)×2.5hrs	
Ambient temperature	Charge	°C	°F
		0°C to 45°C	32°F to 113°F
	Discharge	-20°C to 60°C -4°F to 140°F	
	Storage	-20°C to 45°C -4°F to 113°F	

Charge characteristics

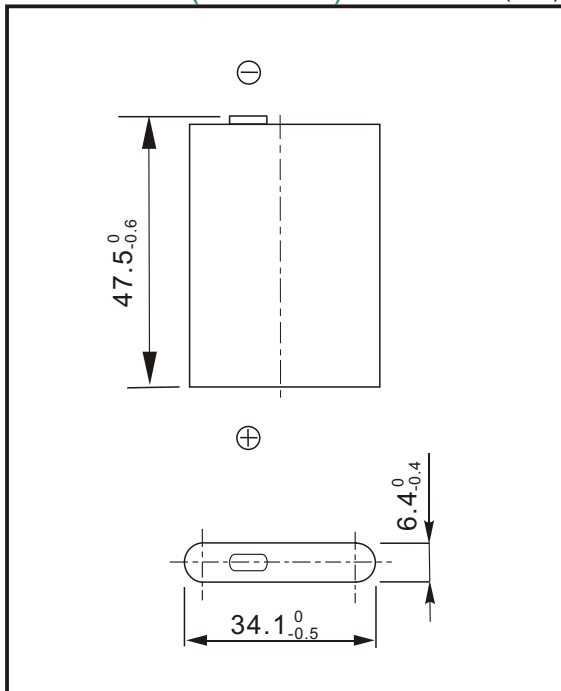


Discharge temperature characteristics



Dimensions(bare cell)

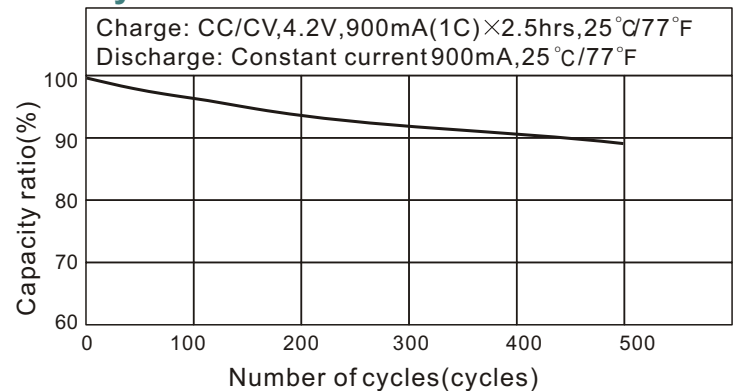
(mm)



Note:

1. After charging at 1C for 2.5 hours.
2. Nominal capacity, rated at 0.2C, 25°C/77°F.
3. Average capacity. For reference only.
- *. Weight and internal impedance are for reference.

Cycle life characteristics



Storage characteristic

