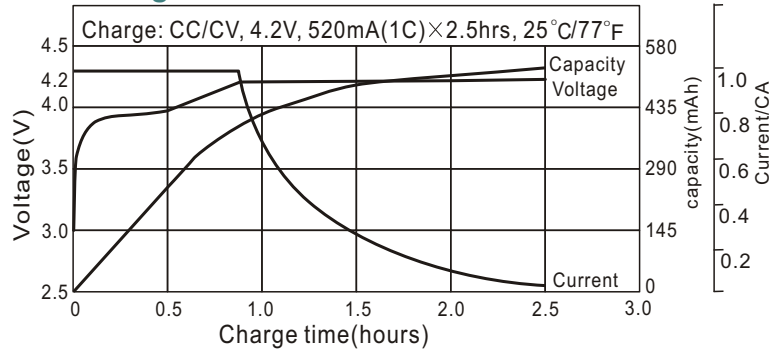


L-P062248A

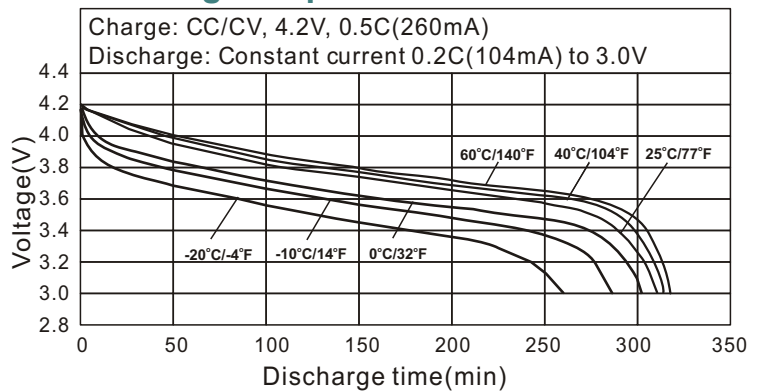
Specifications

Nominal Voltage		3.7V	
Capacity ¹ (mAh)	0.2C Discharge		
	Minimum	470mAh ²	
	Typical ³	520mAh	
Dimen- Sions		mm	inch
	Thickness	5.8 ^{0.0} _{-0.5}	0.228 ^{0.0} _{-0.020}
	Width	22.0 ^{0.0} _{-0.5}	0.866 ^{0.0} _{-0.020}
	Height	47.5 ^{0.0} _{-0.6}	1.870 ^{0.0} _{-0.024}
Weight [*]		Grams	Ounces
		12.5	0.47
Internal impedance [*] at 1000Hz		< 100 mΩ (After charge)	
Charge	Standard	260mA(0.5C)×5hrs	
	Rapid	520mA(1C)×2.5hrs	
Ambient temperature	Charge	°C	°F
		0°C to 45°C	32°F to 113°F
	Discharge	-20°C to 60°C	-4°F to 140°F
	Storage	-20°C to 45°C	-4°F to 113°F

Charge characteristics

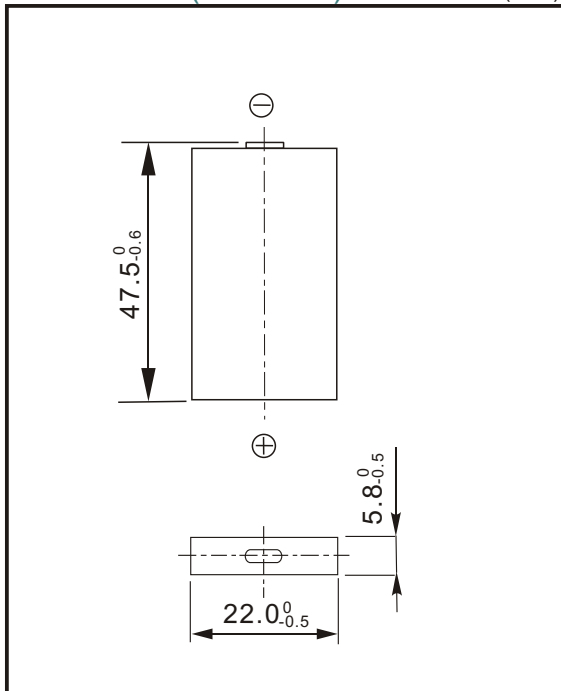


Discharge temperature characteristics



Dimensions(bare cell)

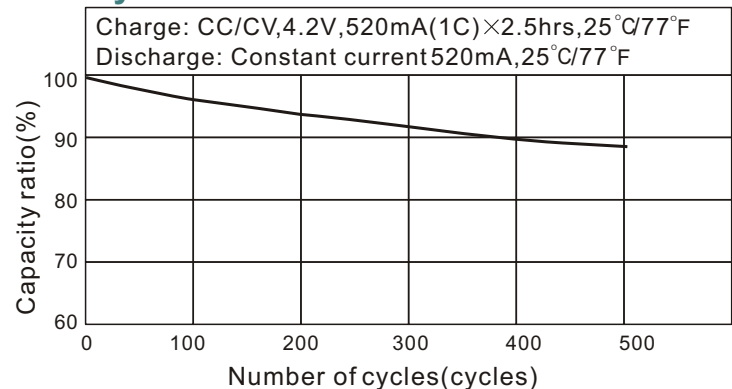
(mm)



Note:

1. After charging at 1C for 2.5 hours.
 2. Nominal capacity, rated at 0.2C, 25°C/77°F.
 3. Average capacity. For reference only.
- *. Weight and internal impedance are for reference.

Cycle life characteristics



Storage characteristic

