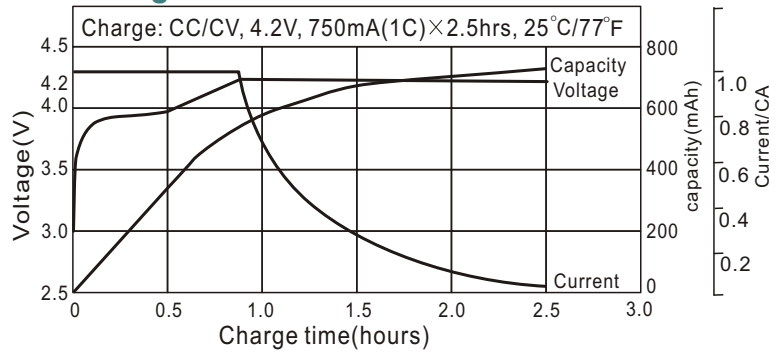


L-P053048AH

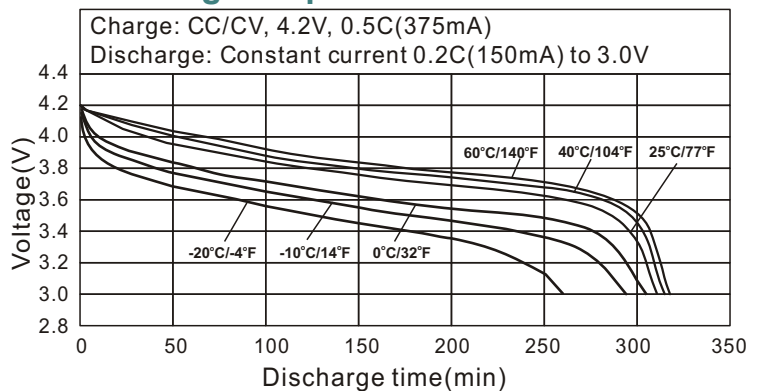
Specifications

Nominal Voltage		3.7V	
Capacity ¹ (mAh)		0.2C Discharge	
	Minimum	670mAh ²	
	Typical ³	750mAh	
Dimen- Sions	Thickness	mm	inch
		5.5 ⁰ _{-0.5}	0.217 ⁰ _{-0.020}
		Width	30.1 ⁰ _{-0.5}
	Height	48.0 ⁰ _{-0.6}	1.890 ⁰ _{-0.024}
Weight [*]		Grams	Ounces
		17.5	0.63
Internal impedance [*] at 1000Hz		< 80 mΩ (After charge)	
Charge	Standard	360mA(0.5C)×5hrs	
	Rapid	750mA(1C)×2.5hrs	
Ambient temperature	Charge	°C	°F
		0°C to 45°C	32°F to 113°F
	Discharge	-20°C to 60°C	-4°F to 140°F
	Storage	-20°C to 45°C	-4°F to 113°F

Charge characteristics

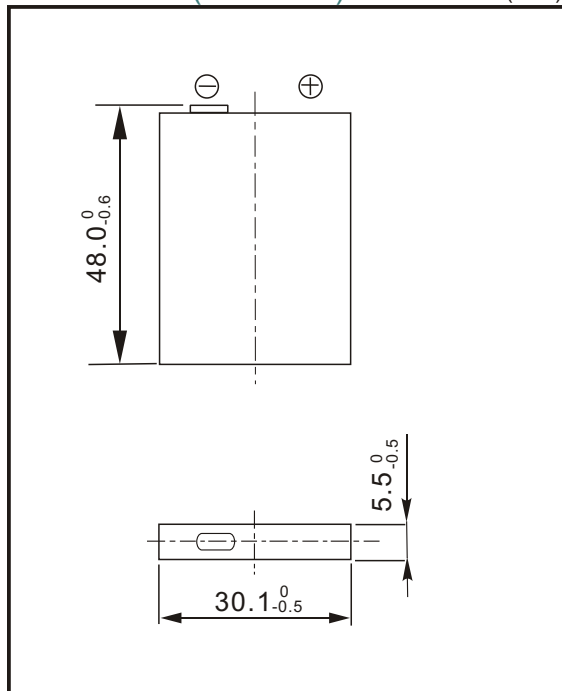


Discharge temperature characteristics



Dimensions(bare cell)

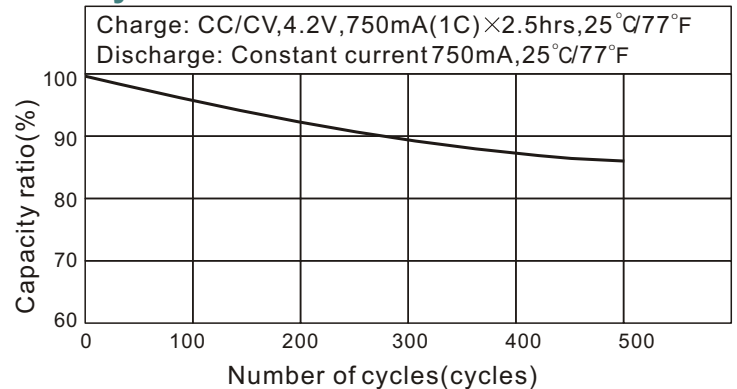
(mm)



Note:

1. After charging at 1C for 2.5 hours.
2. Nominal capacity, rated at 0.2C, 25°C/77°F.
3. Average capacity. For reference only.
- *. Weight and internal impedance are for reference.

Cycle life characteristics



Storage characteristic

