

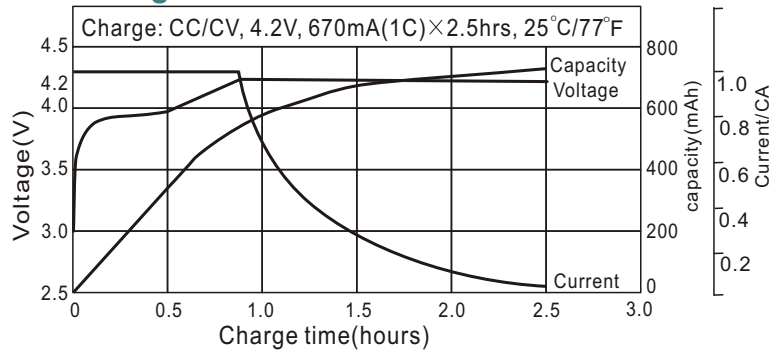
Li-ion Prismatic Battery Individual Data Sheets

L-P053048A

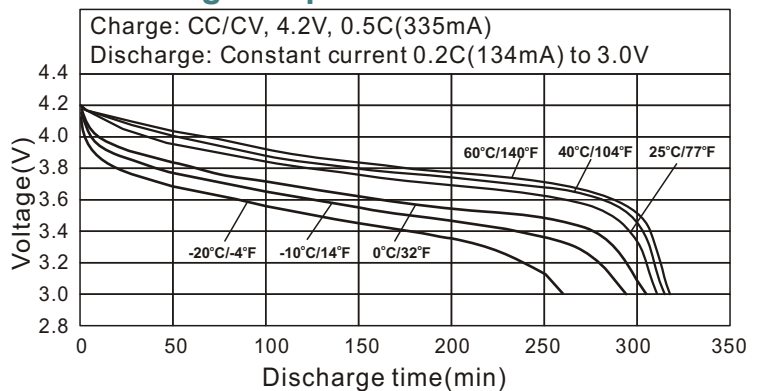
Specifications

Nominal Voltage		3.7V		
Capacity ¹ (mAh)	0.2C Discharge			
	Minimum	600mAh ²		
	Typical ³	670mAh		
Dimen- Sions	Thickness	mm	inch	
		5.5 ⁰ _{-0.5}	0.217 ⁰ _{-0.020}	
	Width	30.1 ⁰ _{-0.5}	1.185 ⁰ _{-0.020}	
	Height	48.0 ⁰ _{-0.6}	1.890 ⁰ _{-0.024}	
Weight [*]		Grams	Ounces	
		17.0	0.63	
Internal impedance [*] at 1000Hz		< 80 mΩ (After charge)		
Charge	Standard	335mA(0.5C)×5hrs		
	Rapid	670mA(1C)×2.5hrs		
Ambient temperature	Charge	°C	°F	
		0°C to 45°C	32°F to 113°F	
	Discharge	-20°C to 60°C -4°F to 140°F		
	Storage	-20°C to 45°C -4°F to 113°F		

Charge characteristics

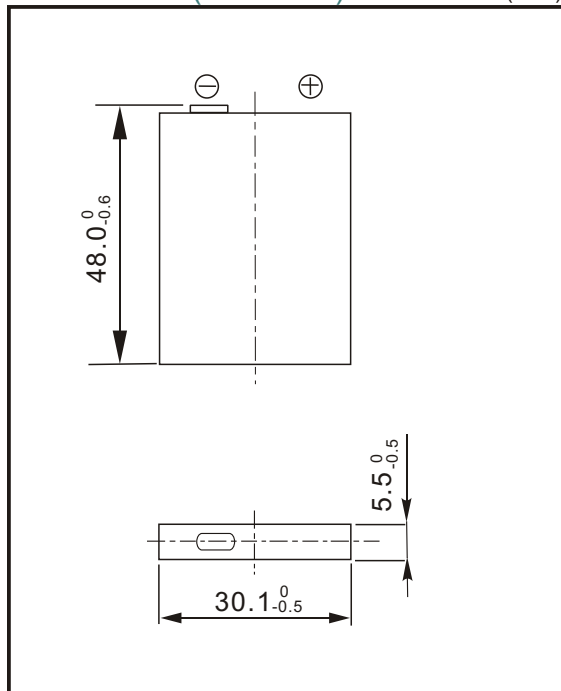


Discharge temperature characteristics



Dimensions(bare cell)

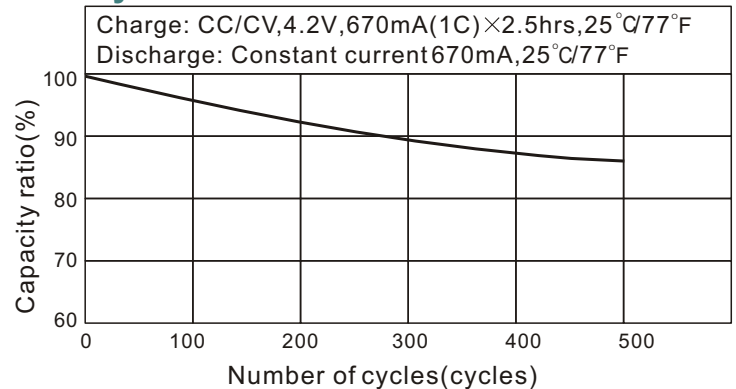
(mm)



Note:

- After charging at 1C for 2.5 hours.
 - Nominal capacity, rated at 0.2C, 25°C/77°F.
 - Average capacity. For reference only.
- *. Weight and internal impedance are for reference.

Cycle life characteristics



Storage characteristic

