

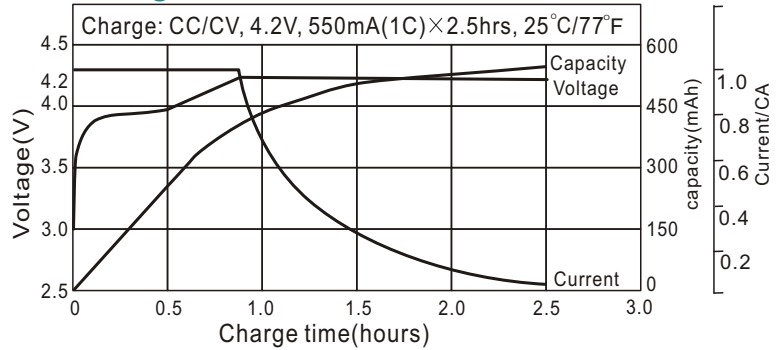
# Li-ion Prismatic Battery Individual Data Sheets

## L-P053040A

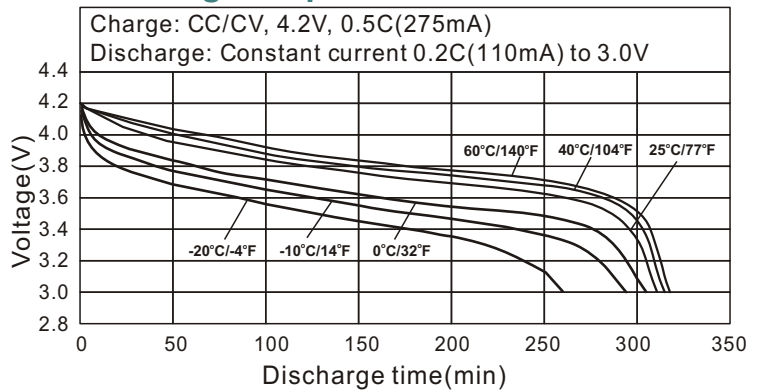
### Specifications

Nominal Voltage		3.7V		
Capacity <sup>1</sup> (mAh)	0.2C Discharge			
	Minimum	500mAh <sup>2</sup>		
	Typical <sup>3</sup>	550mAh		
Dimen- Sions	Thickness	mm	inch	
		5.5 <sup>0</sup> <sub>-0.5</sub>	0.217 <sup>0</sup> <sub>-0.020</sub>	
	Width	30.1 <sup>0</sup> <sub>-0.5</sub>	1.185 <sup>0</sup> <sub>-0.020</sub>	
	Height	40.0 <sup>0</sup> <sub>-0.6</sub>	1.574 <sup>0</sup> <sub>-0.024</sub>	
Weight <sup>*</sup>		Grams	Ounces	
		14.0	0.49	
Internal impedance <sup>*</sup> at 1000Hz		< 80 mΩ (After charge)		
Charge	Standard	275mA(0.5C)×5hrs		
	Rapid	550mA(1C)×2.5hrs		
Ambient temperature	Charge	°C	°F	
		0°C to 45°C	32°F to 113°F	
	Discharge	-20°C to 60°C    -4°F to 140°F		
	Storage	-20°C to 45°C    -4°F to 113°F		

### Charge characteristics

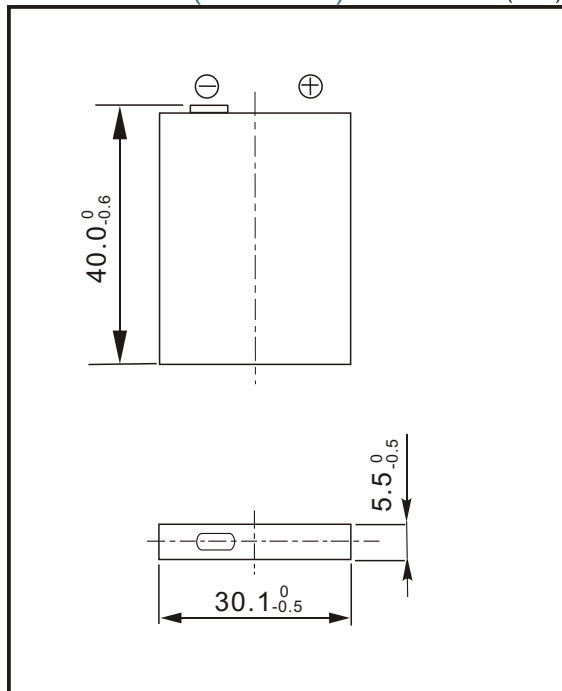


### Discharge temperature characteristics



### Dimensions(bare cell)

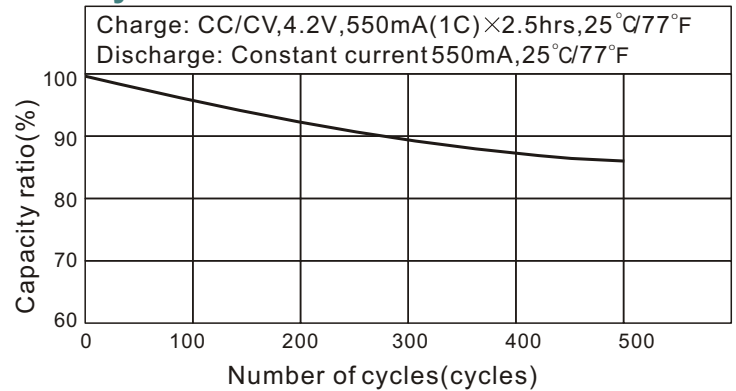
(mm)



Note:

- After charging at 1C for 2.5 hours.
  - Nominal capacity, rated at 0.2C, 25°C/77°F.
  - Average capacity. For reference only.
- \*. Weight and internal impedance are for reference.

### Cycle life characteristics



### Storage characteristic

