

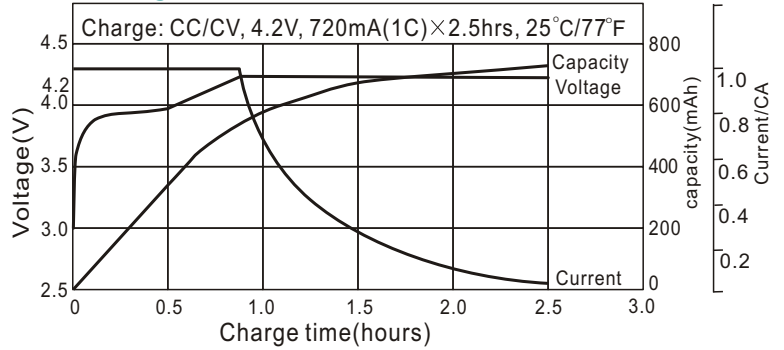
Li-ion Primatic Battery Individual Data Sheets

L-P043450A

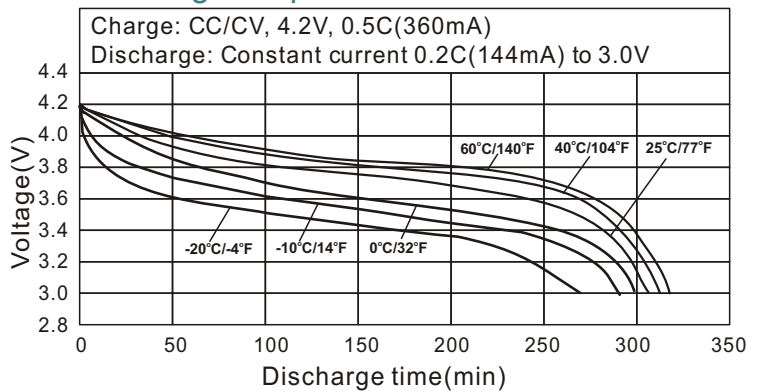
Specifications

Nominal Voltage		3.7V	
Capacity ¹ (mAh)	0.2C Discharge		
	Minimum	650mAh ²	
	Typical ³	720mAh	
Dimen- Sions	Thickness	mm	inch
		4.5 ⁰ _{-0.5}	0.177 ⁰ _{-0.020}
		Width	34.0 ⁰ _{-0.5}
	Height	50.0 ⁰ _{-0.6}	1.967 ⁰ _{-0.024}
Weight *		Grams	Ounces
		17.0	0.60
Internal impedance* at 1000Hz		<70 m Ω (After charge)	
Charge	Standard	360mA(0.5C)× 5hrs	
	Rapid	720mA(1C)×2.5hrs	
Ambient temperature	Charge	°C	°F
		0°C to 45°C	32°F to 113°F
	Discharge	-20°C to 60°C	-4°F to 140°F
	Storage	-20°C to 45°C	-4°F to 113°F

Charge characteristics

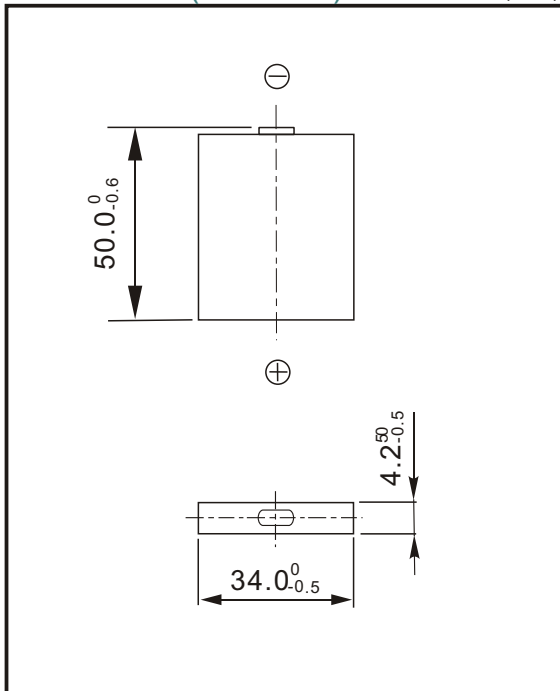


Discharge temperature characteristics



Dimensions(bare cell)

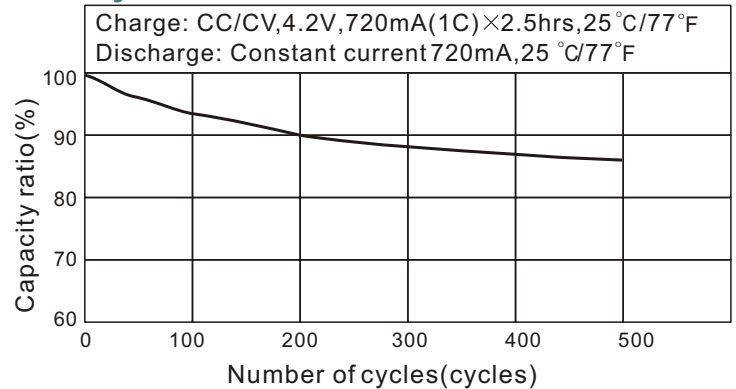
(mm)



Note:

1. After charging at 1C for 2.5 hours.
 2. Nominal capacity, rated at 0.2C, 25°C/77°F.
 3. Average capacity. For reference only.
- *. Weight and internal impedance are for reference.

Cycle life characteristics



Storage characteristic

