

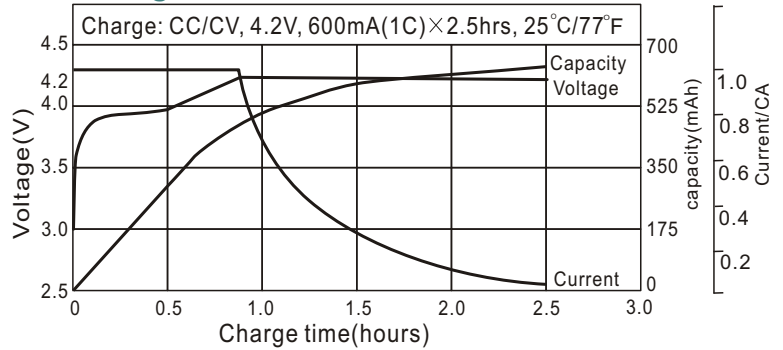
# Li-ion Prismatic Battery Individual Data Sheets

## L-P033450A

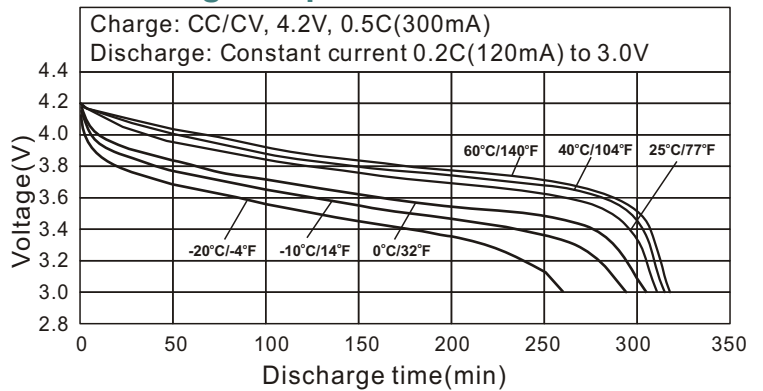
### Specifications

Nominal Voltage		3.7V	
Capacity <sup>1</sup> (mAh)	0.2C Discharge		
	Minimum	550mAh <sup>2</sup>	
	Typical <sup>3</sup>	600mAh	
Dimen- Sions	Thickness	mm	inch
		3.9 <sup>0</sup> <sub>-0.5</sub>	0.154 <sup>0</sup> <sub>-0.020</sub>
		Width	34.0 <sup>0</sup> <sub>-0.5</sub>
	Height	50.0 <sup>0</sup> <sub>-0.6</sub>	1.378 <sup>0</sup> <sub>-0.024</sub>
Weight <sup>*</sup>		Grams	Ounces
		15.0	0.53
Internal impedance* at 1000Hz		< 70 mΩ (After charge)	
Charge	Standard	300mA(0.5C)×5hrs	
	Rapid	600mA(1C)×2.5hrs	
Ambient temperature	Charge	°C	°F
		0°C to 45°C	32°F to 113°F
	Discharge	-20°C to 60°C	-4°F to 140°F
	Storage	-20°C to 45°C	-4°F to 113°F

### Charge characteristics

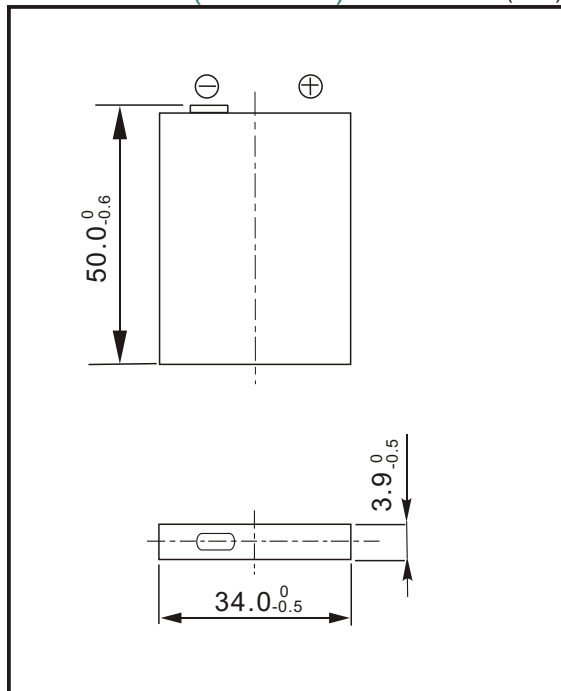


### Discharge temperature characteristics



### Dimensions(bare cell)

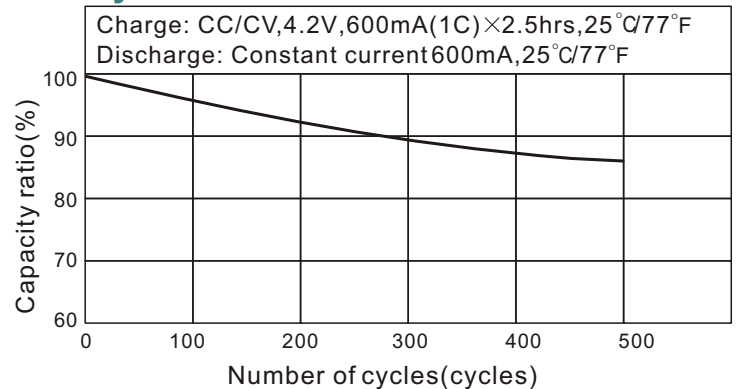
(mm)



#### Note:

1. After charging at 1C for 2.5 hours.
  2. Nominal capacity, rated at 0.2C, 25°C/77°F.
  3. Average capacity. For reference only.
- \*. Weight and internal impedance are for reference.

### Cycle life characteristics



### Storage characteristic

